

**Gitiesse**

Marine Electronics

Gitiesse S.r.l.

Via Al Ponte Polcevera 8/14

16161 Genoa - Italy

Tel: +39 – 010 749 2263 / +39 – 010 749 2276 /

+39 – 010 749 2361

Fax: +39 – 010 740 21 31

E-Mail: [gitiesse@gitiesse.com](mailto:gitiesse@gitiesse.com)

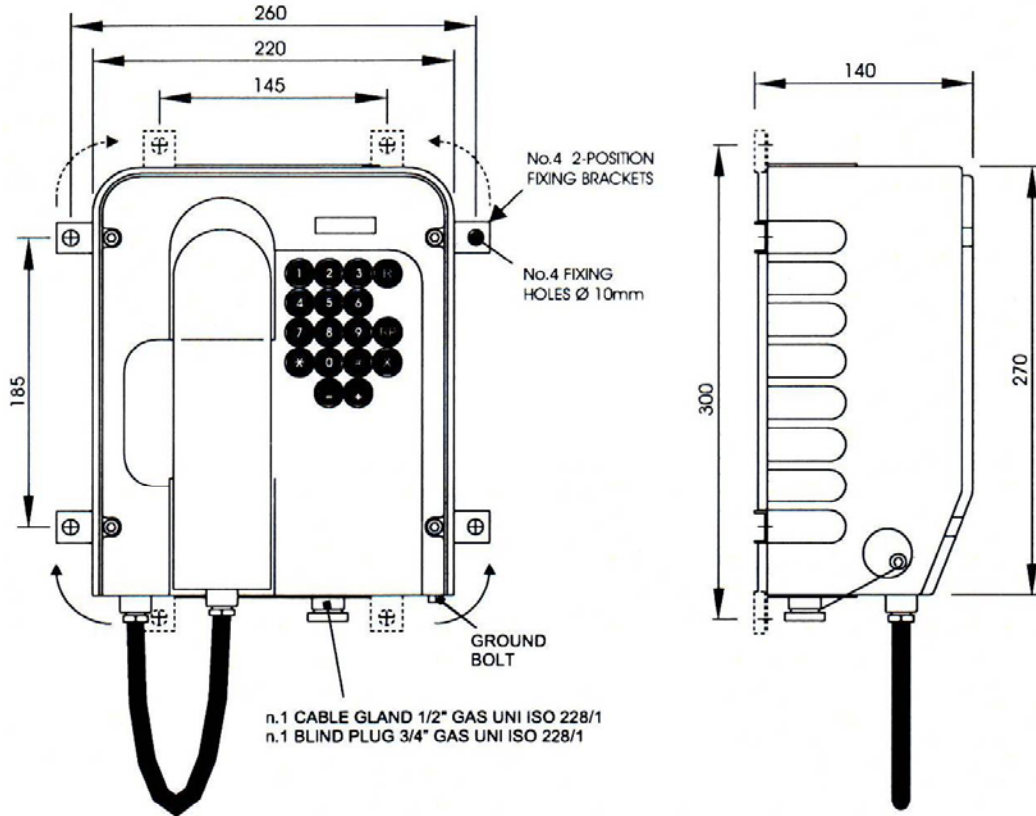
Web-Site: [www.gitiesse.com](http://www.gitiesse.com)



# IMCOS™ 5311

## Waterproof Automatic Telephone

Rev. September 2009



**A-B** = Telephone line  
**T** = Earth  
**S1-S2** = Additional call repeater  
**A1-A2** = Auxiliary contact

**NOTE:**

**R** = FLASH KEY  
**X** = CLEARING KEY  
**RP** = LAST NUMBER REDIAL KEY

The values are in millimetres.

Description *	IMCOS 5311 is a wall mounting waterproof telephone, suitable for ship's application.
Mounting	Wall mounting.
Nominal PABX Voltage	24V, 48V, 60V
Ringing	Output tone frequency: 600 to 850 Hz
Pulse dialling	Frequency 10 Hz
Cable gland	1 x cable gland 1/2" 1 x bind plug 3/4"
Operating temperature	- 20 °C to + 60 °C
Protection	IP 66
Weight	6 Kg



IMCOS™ Currently the only system in the world type approved by five different Classifications Societies.  
 IMCOS™ is an exclusive trademark of Gitiesse



\* Gitiesse reserves the right to alter specifications without notice

**Gitiessse**

**Marine Electronics**

Gitiessse S.r.l.

Via Al Ponte Polcevera 8/14

16161 Genoa - Italy

Tel: +39 – 010 749 2263 / +39 – 010 749 2276 /

+39 – 010 749 2361

Fax: +39 – 010 740 21 31

E-Mail: [gitiessse@gitiessse.com](mailto:gitiessse@gitiessse.com)

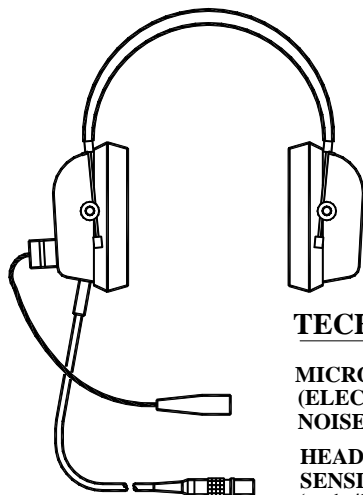
Web-Site: [www.gitiessse.com](http://www.gitiessse.com)



# IMCOS™ 5311/HS

---

## Headset/Microphone (for Waterproof Automatic Telephone)



### TECHNICAL DATA

**MICROPHONE  
(ELECTRO MAGNETIC)  
NOISE CANCELLING.**

**HEADSET IMPEDANCE 300 Ohm**

**SENSITIVITY -94 dB.**

**(re 1v/0.1Nm) :**

**POLAR RESPONSE HYPERCARDIOD.**



Description \* IMCOS 5311/HS is a Headset with integrated microphone for Waterproof Automatic Telephone IMCOS 5311/W-HS.

It may be used in noisy environments or where hands-free operation is required.

Features \* 1,5 meters previewed cable.



IMCOS™ Currently the only system in the world type approved by five different Classifications Societies.  
IMCOS™ is an exclusive trademark of Gitiessse



\* Gitiessse reserves the right to alter specifications without notice